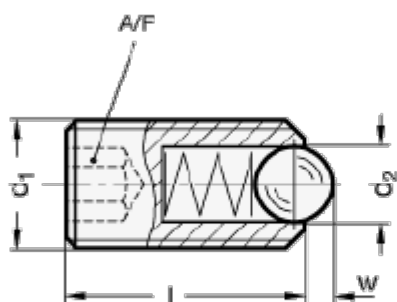


Article number: 206153M24KS

Description: E+G spring plungers 615.3-M24-KS

Measures



Thread locking **PFB**
Polyamide patch
for type **K**



Thread locking **PFB**
Polyamide patch
for type **KS**



Thread locking **MVK**
Micro encapsulation precote
(for all types)

A/F	= 12
d1	= M24
d2	= 15
l	= 48
Max. spring load in N	= 237
Preload spring pressure in N	= 127
w	= 5.5